

Freddy. The multi-function built-in blast chiller



Technical details

➤ Freddy, a professional-standard blast chiller, is designed to fit into all standard 60 cm tall units. It is convenient and practical to fit and is enhanced by an uncluttered design with no protrusions.

Made in AISI 304 18/10 stainless steel, it merges seamlessly with any type of kitchen furniture or décor.

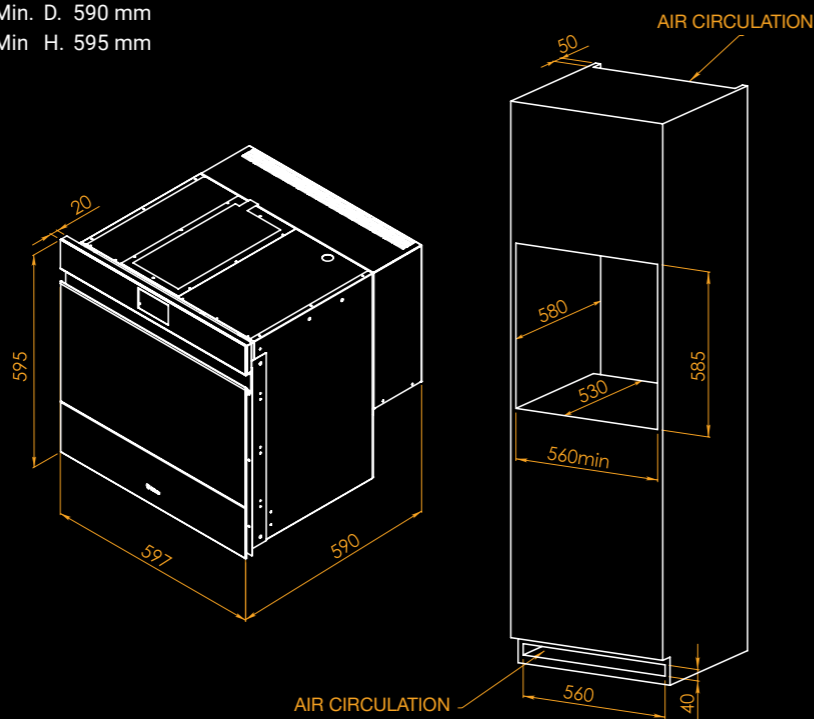
➤ Freddy is available in stainless steel, black glass, mirror glass or any material from the De Castelli range.

➤ Freddy is operated via an easy-to-use digital interface with multiple functions. The controls are soft-touch, entirely without push buttons.

➤ All Freddy components comply with the most stringent international environmental and food safety standards.

Freddy 60 built-in

Min. W. 597 mm
Min. D. 590 mm
Min. H. 595 mm



Finishes

All Freddy models can be customized with the following finishes: satin stainless steel, black glass, fronts in a variety of materials and in any colour of the RAL range >> For further details see Available finishes

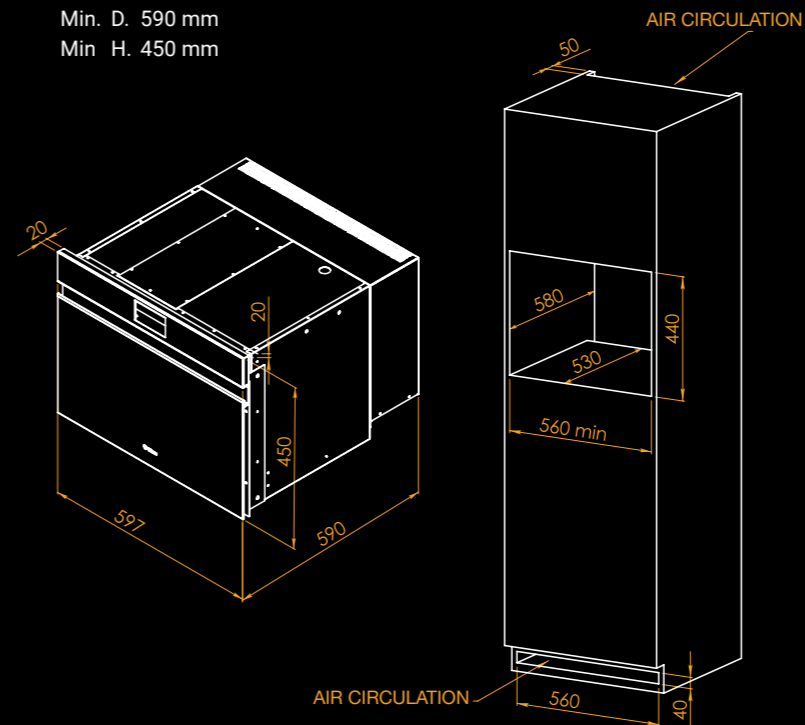
Technical specifications

	Freddy 60	Freddy 45
Blast chilling cycle output (+90 °C to +3 °C)	5,0 kg	3,5 kg
Shock freezing cycle output (+90 °C to -18 °C)	4,5 kg	3,0 kg
Voltage	220 - 240 V / 50 Hz	220 - 240 V / 50 Hz
Max. absorbed power	800 W	500 W
Total current draw	3.5 A	2.2 A
Compressor power	0.5 Hp	0.33 Hp
Refrigerant	R290	R290
Net machine weight	52 kg	44 kg
Total number of wire shelves	n. 3	n. 2

Standard accessories: Stainless steel wire shelves (2 for Freddy 45, 3 for Freddy 60) / Core probe.

Freddy 45 built-in

Min. W. 597 mm
Min. D. 590 mm
Min. H. 450 mm



Installation requirements

The appliance comes with a power cord (2 m long). Make sure there is at least 50 mm clearance at the top of the cavity. Fit the appliance away from heat sources, ovens or appliances that produce heat. Provide a Schuko socket behind the appliance.

Optional accessories for Freddy



The first domestic blast chiller